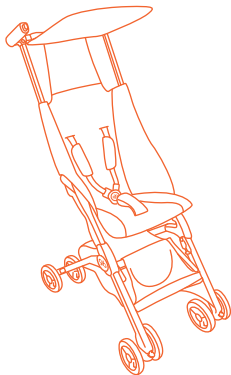




POCKIT+

FUTURE PERFECT





PREPARATION

4



ADJUSTING THE SEAT POSITION

5



COMPACT FOLD

6



ULTRA COMPACT FOLD

8



USING THE HARNESS SYSTEM

11



USING THE BRAKE

14



USING THE SWIVEL LOCKS

15



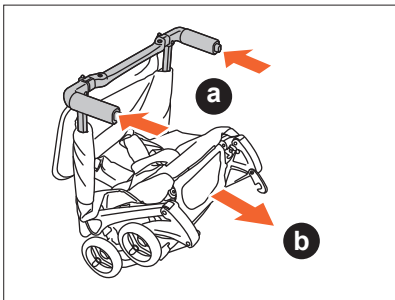
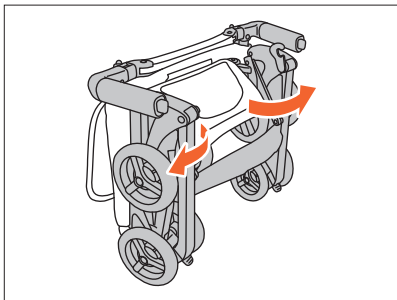
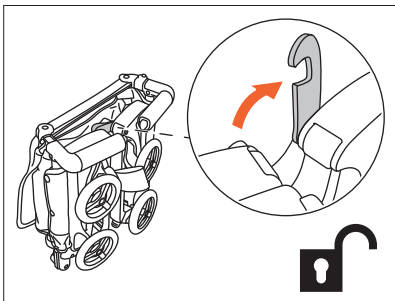
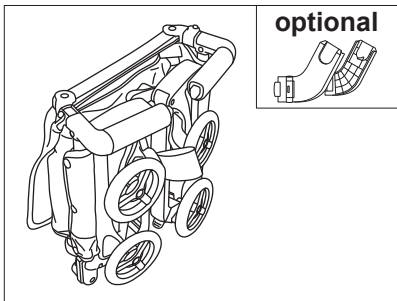
ATTACHING THE INFANT CAR SEAT

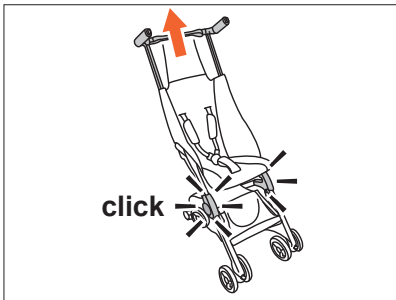
16



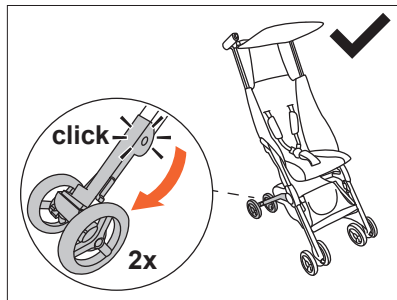
REMOVING THE FABRIC

18

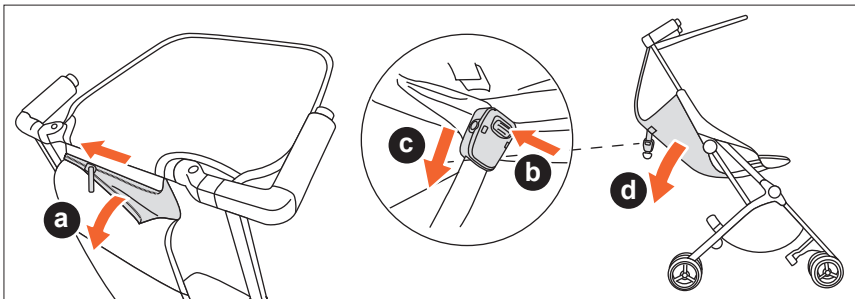




5



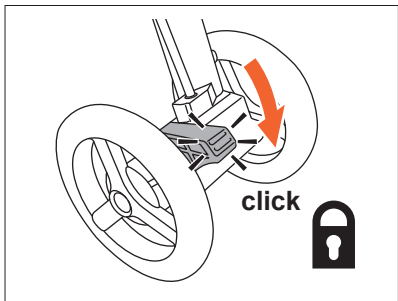
6



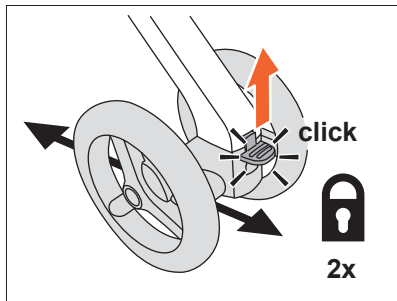
1



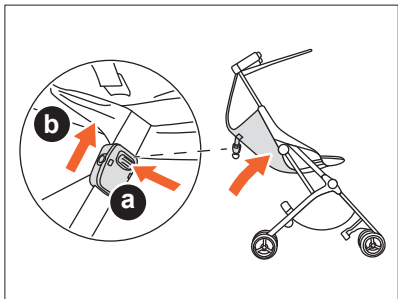
5



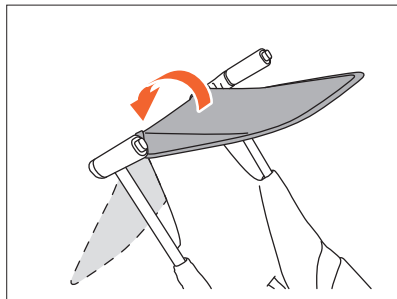
1



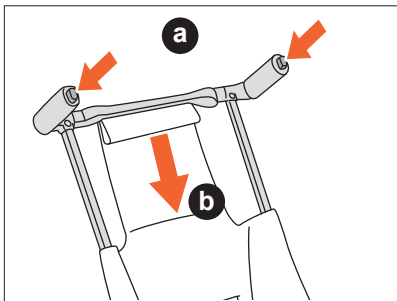
2



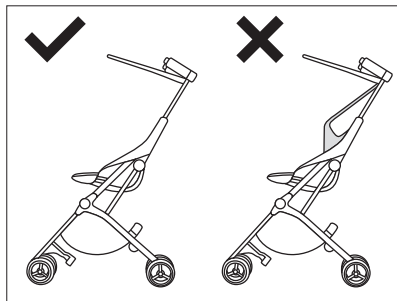
3



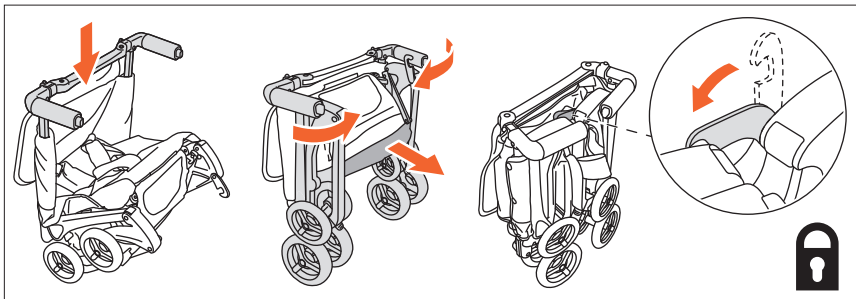
4



5



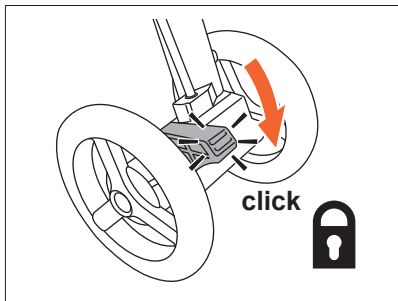
6



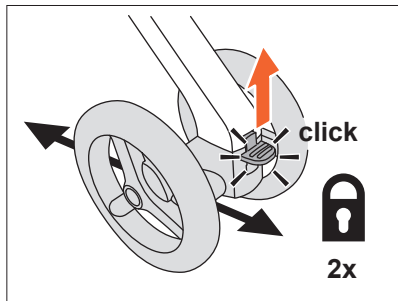
7

8

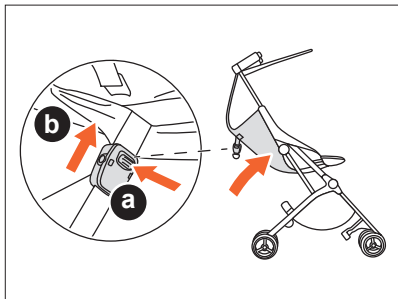
7



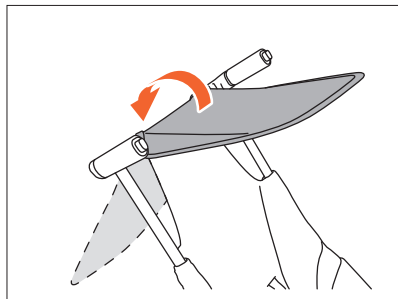
1



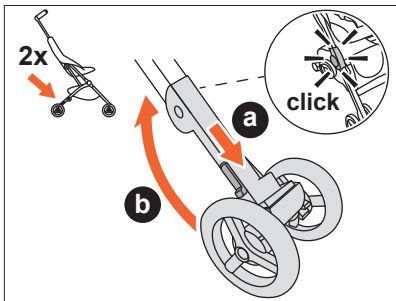
2



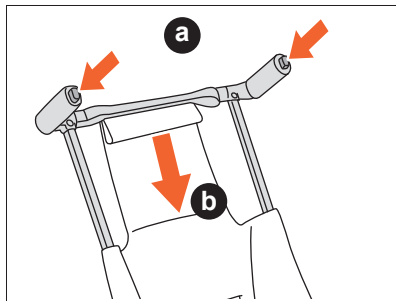
3



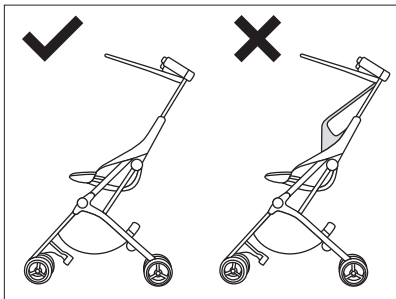
4



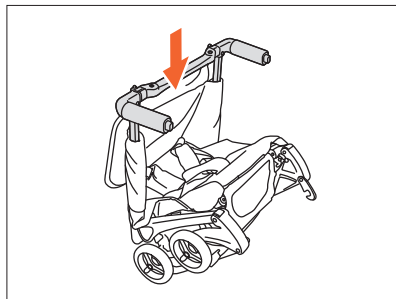
5



6

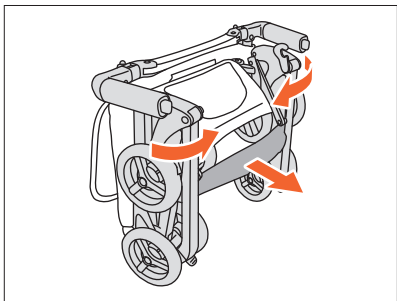


7

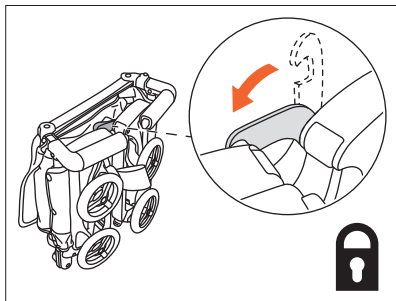


8

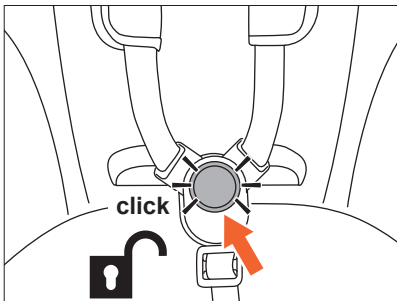




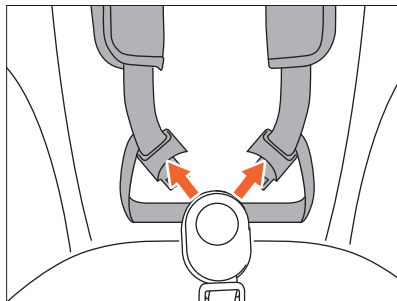
9



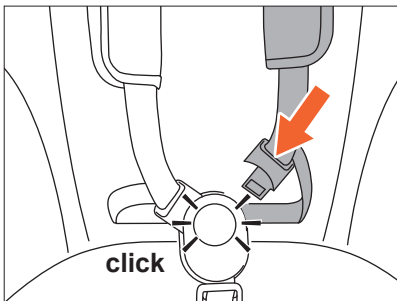
10



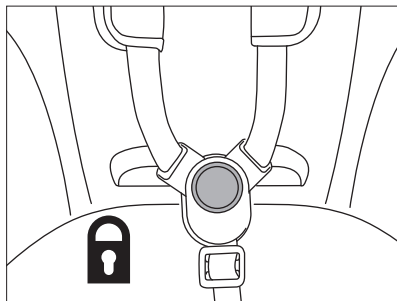
1



2

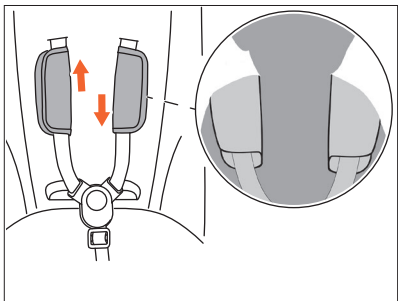


3

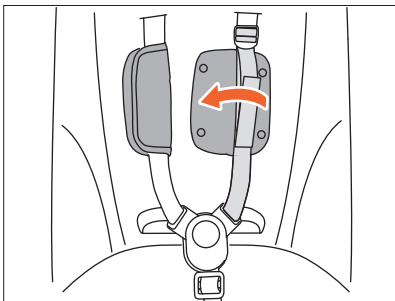


4

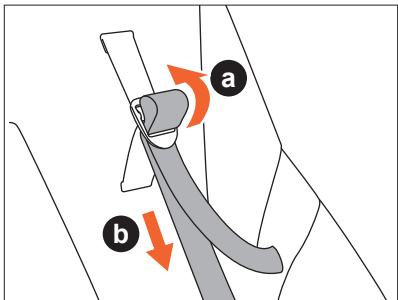




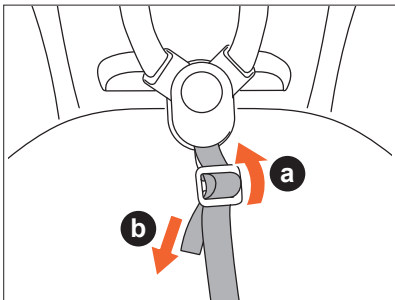
1



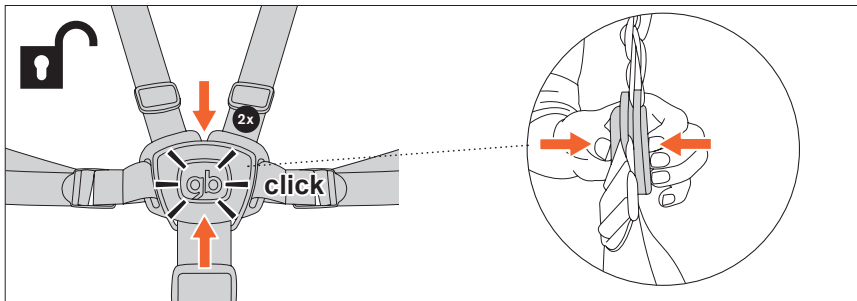
2



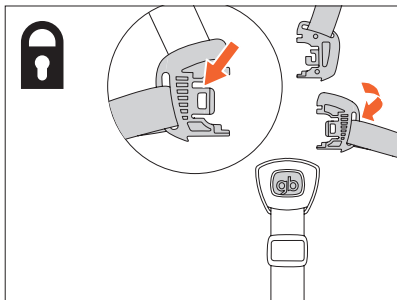
3



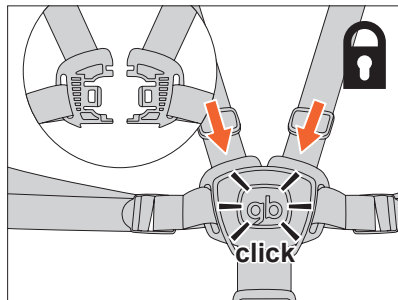
4



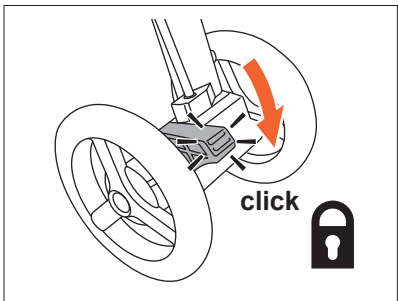
1



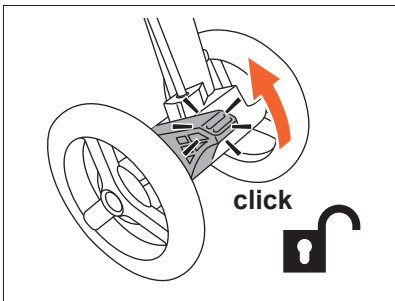
2



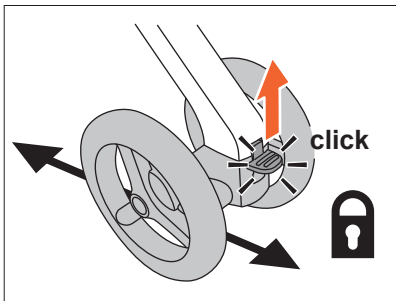
3



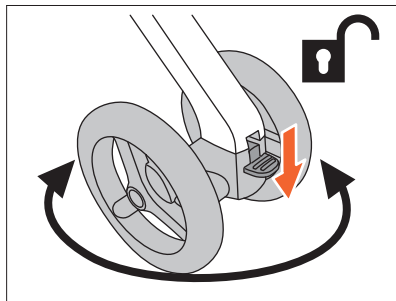
1

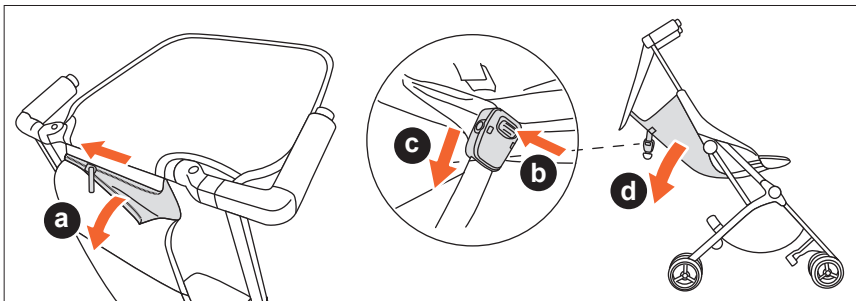


2

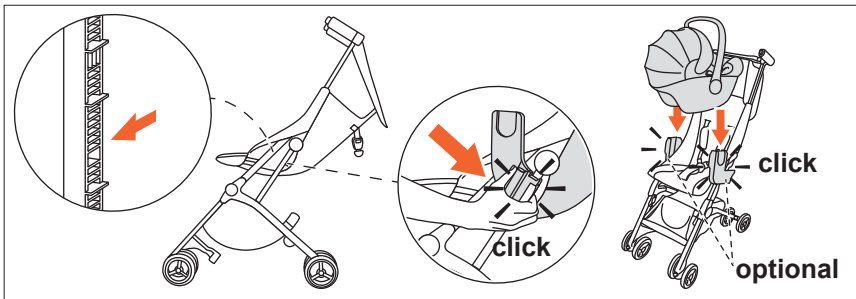


1

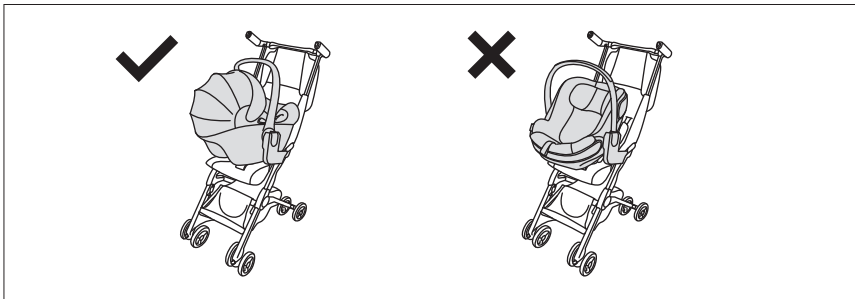




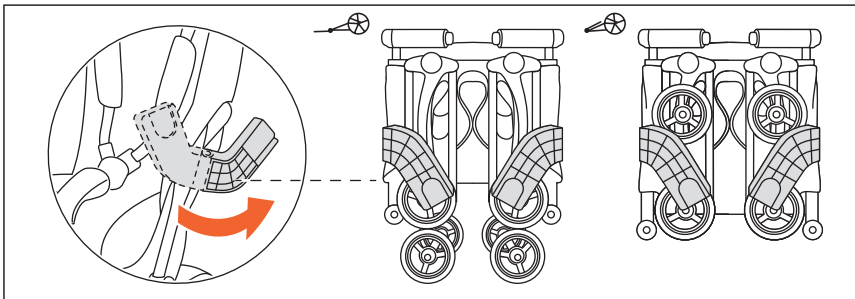
1



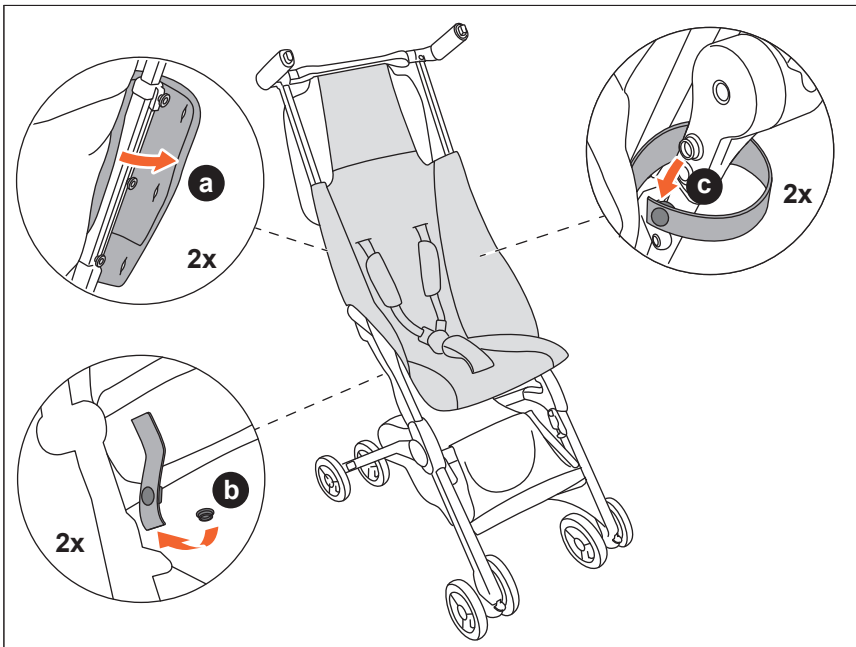
2

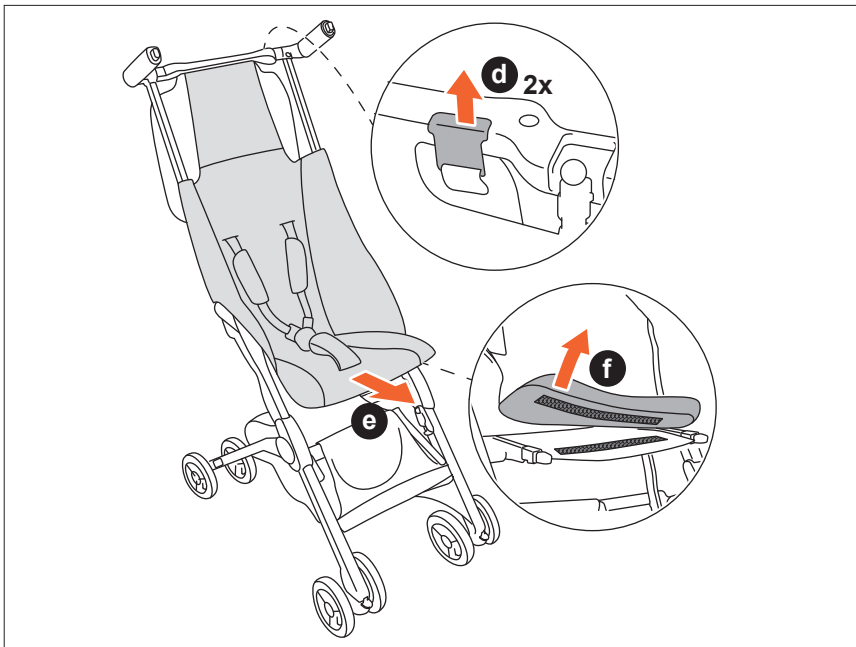


3



4







GOLD

CONTACT

EUROPE

gb GmbH
Riedingerstr. 18
95448 Bayreuth
Germany
+49 (0) 921-78 511 - 0
info@gb-online.com

AUSTRALIA

CNP Brands
20 Calarco Drive, VIC, 3030
Australia
Customer Service 1300 667 137
info@cnppbrands.com.au

AMERICAS

Columbus Trading-Partners USA Inc.
560 Harrison Avenue
Suite 500
Boston, MA 02118
USA
Customer Service 1-844-543-2020
orders.us@columbustp.com
www.gb-online.com

NEW ZEALAND

Wainhouse Distribution,
2-6 Argyle St, Morningside,
PO Box 41-014, St Lukes, Auckland
New Zealand
Customer Service: 0800 567 5000
helpline@wainhousedist.co.nz